



ICE CREAM ROLL CART - 1 PAN - 'THE SEVILLE'

SINGLE ICE CREAM CART - ICE PAN / ICE TEPPAN / ROLLED ICE CREAM MACHINE

Function: Ice cream cart with 1x Ice Pan to create ice cream rolls.

Dimensions: 1134mm wide, 610mm deep, 900mm tall.

Weight: TBC.

Construction: Stainless steel frame. Corian worktop. MDF panels. Stainless steel shelves.

Electrics: 2 mounted sockets. Connected curly plug. Built in ventilation system. CE rated. 220-240v 50Hz. Peak power 1100w.

Controller: Built in.

Temperature Range: -15°C to -30°C continuously adjustable.

Accessories: 1x Pair of Ice Roll Pro Scrapers included. Accessory packages available. Online training videos included. On-site training available.

Warranty & Guarantee: 24 month warranty. Guaranteed to operate in +38°C ambient temperature.

Other Features: Heavy duty castor wheels. Storage shelf. 10mm perspex sneeze guard. Ingredient and utensil pots included.

Refrigerant: R290. Approx 80g.



- icerollpro.com
- (+44) 0333 335 5382
- info@icerollpro.com
- Unit 57 Spaces Business Centre, 15-17 Ingate Place, London SW8 3NS, UK.



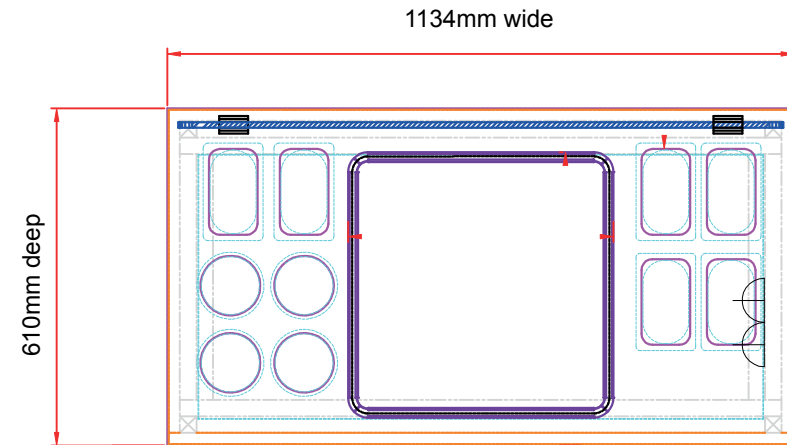
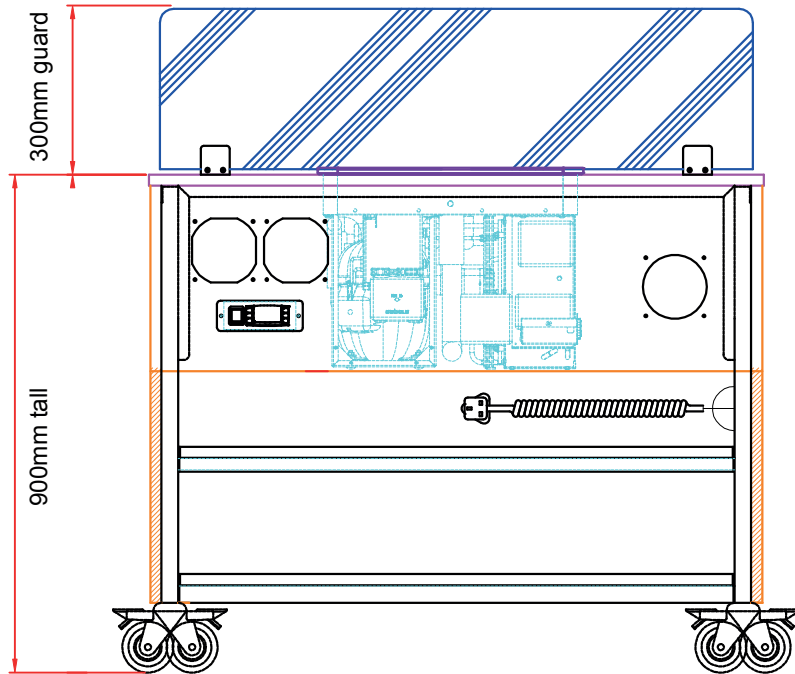
@icerollpro





ICE CREAM ROLL CART - 1 PAN - 'THE SEVILLE'

SINGLE ICE CREAM CART - ICE PAN / ICE TEPPAN / ROLLED ICE CREAM MACHINE



- icerollpro.com
- info@icerollpro.com
- (+44) 0333 335 5382
- Unit 57 Spaces Business Centre,
15-17 Ingate Place, London SW8 3NS, UK.



@icerollpro

